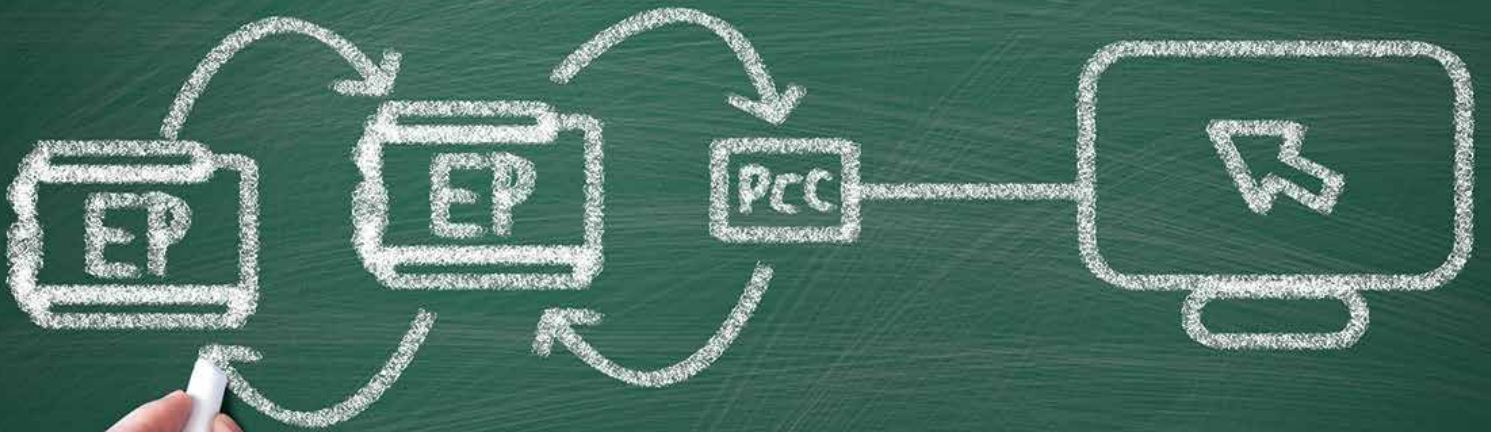


# S3200

Serial Communication Control Panel



Still an important and relevant system today, EntryPass Serial Communicators enables transmission of information between computers or between computers and peripheral devices one bit at a time over a single line, either synchronous or asynchronous. Our range of Serial Communication devices varies from integrated controllers with built-in readers to advanced 4 readers control panel and even hybrid input/output control panels to suit your specific needs and requirements.

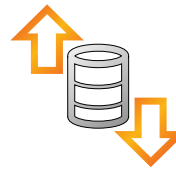


# S3200 Serial Communication Control Panel



## HIGH PERFORMANCE

Based on the latest HCB (Hybrid Compact Board), S3200 is a high reliability, high efficiency and highly integrated intelligent multi-application control panel targeted for physical access control industry. It features a 32bits Freescale ColdFire microcontroller running at 60MHz, this control panel can fulfill most demanding requirement in physical access control environment.



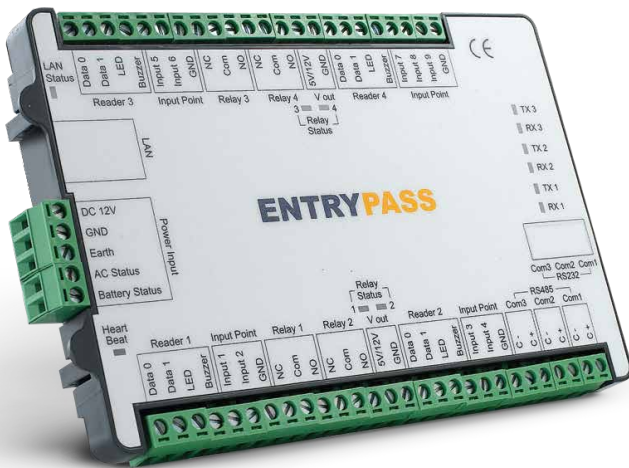
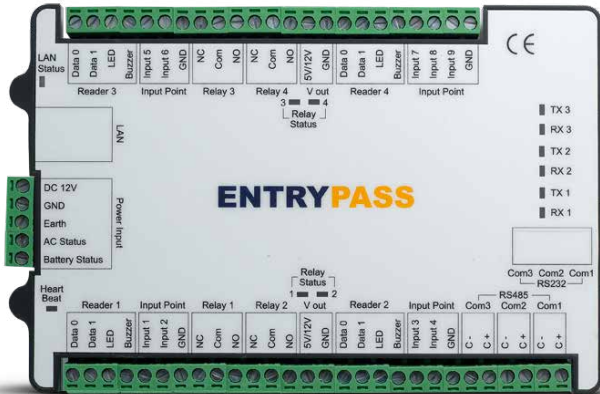
## DYNAMIC STORAGE ALLOCATION (DSA)

DSA empower system administrator to modify the factory preset card holder and event storage database whenever necessary. Result of such modification leads a more personalized usage of the control panel whenever needed.



## DOOR INTERLOCKING

2 In doors interlocking within the control panel, no external wiring is needed. Cross-board interlocking is achievable by acquiring the interlocking signal coming from second control panel before granting the accessibility to the local access.



## Feature Highlight

Support Single Door / 2 Doors

Support Car Park Mode

Support Dynamic Reader Location

Compatible with Various Reader Technologies

Configurable Digital / Supervised Inputs (8)

Event Based Triggering (EBT)

Unlimited Access Level

Onboard & Cross-Board Interlocking

User Counting (Card Holder / Car Park)

Reader Output Control

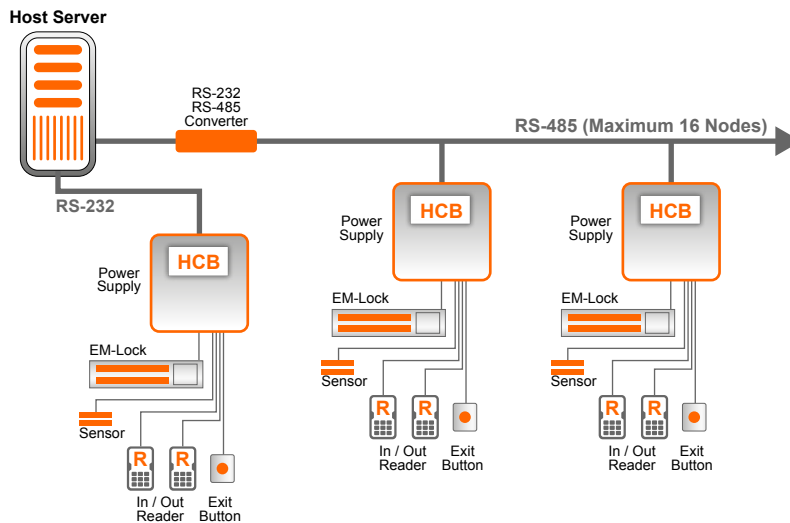
Dynamic Storage Allocation

Dynamic Operation Profile

Support 30,000 Users And 80,000 Events Memory

# S3200 Serial Communication Control Panel

## Basic System Diagram



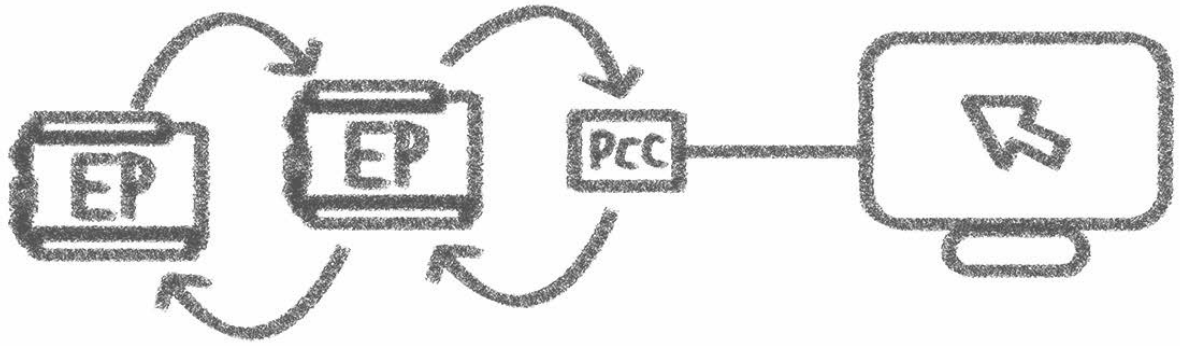
## Technical Specification

Hardware	Description
Dimension	158mm (w) x 90mm (H)
MCU	32bits @ 60MHz
Memory	256K Flash Memory 32K SRAM (Buffer) 64Mbits Non-Volatile SPI Flash Memory (Storage)
Operating Temperature	0 °C to 40 °C
Card holder	30,000
Event Transaction	80,000
Access Level	Unlimited Access Level
Digital/Supervise Inputs	Max. 8, User configurable (Door Sensor/Request-To-Exit/Fire Input/General Purpose)
Digital Output	Max. 4 Dry contact Relay
Onboard Real Time Clock	Yes
Serial Communication Port	RS232/RS485 User Configurable
Power Protection	Resettable Fuse - 2.5A
Surge Protection	TVS - Up to 15KVA
Onboard LED Control	Power / Communication / LAN / Event / Error
Onboard Buzzer	1
AC Fail Monitoring	Yes
Battery Monitoring	Yes (Firmware threshold control to shutdown control panel)
External Short Circuit Protection	At readers
Backup Battery	Yes, Apply to RTC only

### Ordering Information

EP.S3200.PCB EntryPass 2 Readers Advanced Serial Door Control Panel Only  
 EP.S3200.PSU EntryPass 2 Readers Advanced Serial Door Control Panel with Power Supply Unit

# S3200 Serial Communication Control Panel



[www.entrypass.net](http://www.entrypass.net)

#### Malaysia

No. 40, Jalan TPP 1/10, Taman Industri Puchong, Batu 12 Jalan Puchong, 47160 Puchong Selangor Darul Ehsan, Malaysia.  
Tel : +603 8068 1929  
Fax : +603 8062 6937  
Email : info@entrypass.net

#### Singapore

No. 1, UBI View, #03-03, Focus ONE Building, Singapore 408555.  
Tel : +65- 6841 7242  
Fax : +65- 6841 3937  
Email : info@entrypass.net

#### Indonesia

Jl. Raya Lodan No. 2, kompl. Ruko Lodan Centre Blok. P 10, Jakarta Utara 14430, Indonesia.  
Tel : +62 21 6983 3153  
Fax : +62 21 690 3005  
Email : info@entrypass.net

A securityhub group company

