

## DH-PFM881

---

### Outdoor 5G Wireless video transmission device (CPE)



### Features

- Support outdoor temperature:  $-30^{\circ}\text{C}\sim 70^{\circ}\text{C}$ , industrial design;
- Wireless coverage recommended range  $\leq 3\text{km}$ ;
- Radio-frequency mouth anti-thunder reaches 15KV ESD;
- Support auto ranging function, real time display straight line distance between client and base station;
- Support device auto reboot function;
- 5G mode support 5745~5825MHz(extended range: 4920~6100MHz);
- Support flow control, effectively control base station/client input/output flow control;
- Support VLAN partition, realize virtual local network function, control broadcast storm
- Support 802.1x authentication method, effectively guarantee client access control, provide access safety.
- Support client priority setting, better dispatch each client when the mode is point-to-multipoint
- Support multiple channel option (5M/10M/20M/40M), effectively improve anti-interference and penetration capability

# DH-PFM881

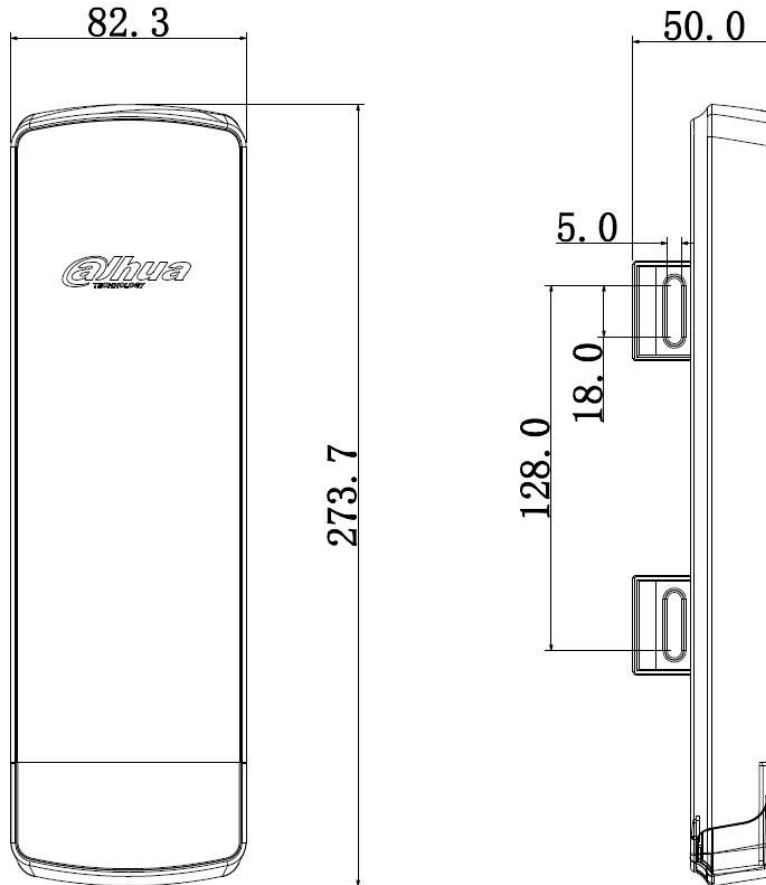
## Specifications

|   |  |
|---|--|
| <b>Model</b>                                | <b>DH-PFM881</b>   |
| <b>Wireless Features</b>                    |  |
| Wireless Standard                           | IEEE802.11 a/n   |
| Working Frequency                           | 5745~5825MHz(extended range: 4920~6100MHz)   |
| Wireless Speed                              | 300Mbps  |
| Modulation Mode                             | OFDM   |
| Antenna                                     | Built-in antenna: gain 15dBi   |
| Output Power                                | 27dBm (max)  |
| Receiving Sensitivity                       | -74dBm@65Mbps, -96dBm@1Mbps  |
| Transmission Distance                       | 0-3KM  |
| Wireless Direction Angle                    | Horizontal 40°, vertical 15°   |
| <b>Hardware</b>                             |  |
| Power                                       | 1*PoE RJ45(IN: 220V, OUT: 24V/0.5A);   |
| Power Consumption                           | Max. 8W  |
| Ethernet Port                               | 1*LAN RJ45 + 1*LAN RJ45 from passive PoE adapter   |
| Indicator Light                             | Wi-Fi status indicator light / LAN port indicator light / Power indicator light / Signal intensity indicator light |
| Working Temperature                         | -30℃~+70℃  |
| Storage Temperature                         | -30℃~+80℃  |
| Working Humidity                            | 5%~95%RH(no condensation)  |
| Equipment Dimension                         | 280mmx30mmx80mm  |
| Equipment Weight                            | 0.45Kg   |
| Mast Diameter                               | 40mm~60mm  |
| <b>Software</b>                             |  |
| Encryption Type                             | WEP/WPA-PSK/WPA2/CCMP(AES)/TKIP  |
| Network Mode                                | Route/Network Bridge   |
| Working Mode                                | Access Point/Client/WDS AP/WDS client/WDS Repeater   |
| Security Mechanism                          | IP/MAC address filtering, hide network name, etc.  |
| Network Protocol                            | TCP/UDP/ARP/ICMP/DHCP/HTTP/NTP   |
| TDMA Enhancement                            | Support(TDMA eliminate hidden nodes influence and greatly improve one-to-many performance)                         |
| Auto ACK Timing Adjustment                  | Support(Auto optimize parameter within long-distance communication and make the performance optimal)               |
| Management and Log                          | NTP, SNMP, Syslog, Telnet  |
| Webpage Configuration Management            | Support webpage configuration  |
| Firmware Update                             | Support firmware webpage update  |
| Long-Distance Communication Throughput Rate | ≤40Mbps@3km  |
| Bandwidth                                   | Flexible 5M/10M/20M/40MHz  |

## DH-PFM881

|               |  |
|---------------|--|
| Configuration |  |
|---------------|--|

### Dimensions (mm)



### Application Scenarios

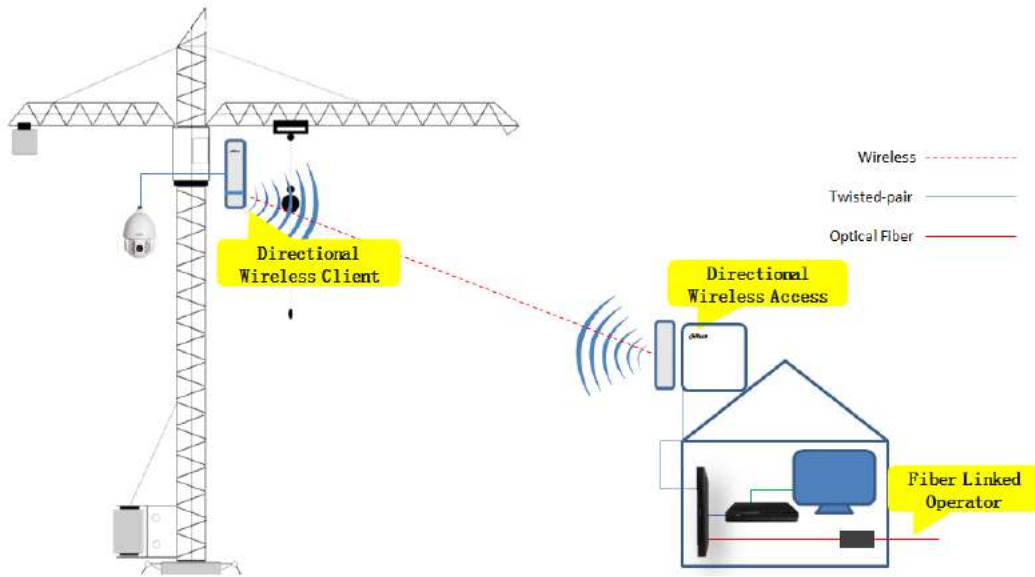
1. Safe towns, safe construction sites, safe scenic area and wireless HD video monitoring of the bus stations, etc.;
2. Playground, ranch, uptown crossroad, orchard, park and other no blocking scenarios.

### Networking Mode

#### 1. Point-to-Point Networking

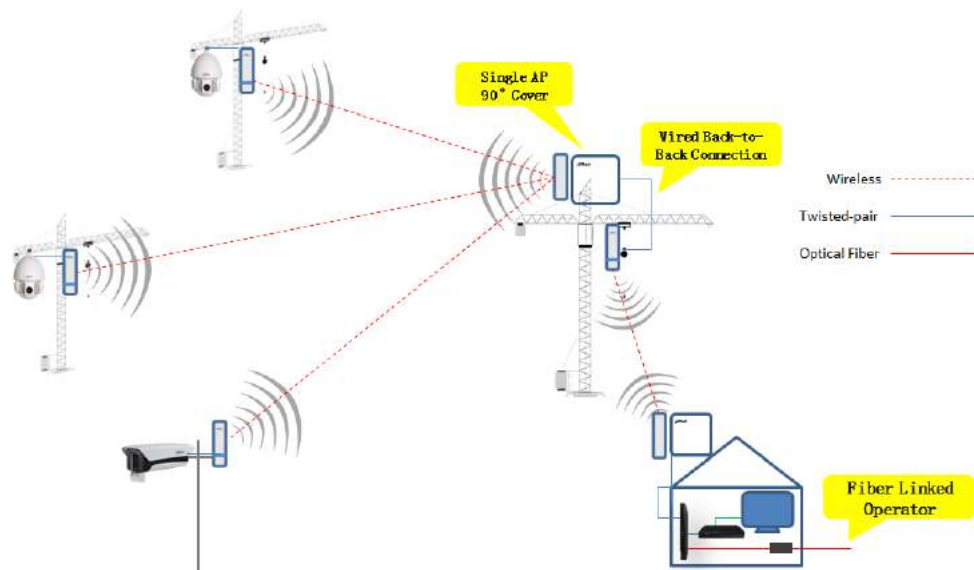
For point-to-point communication, generally a DH-PFM880 (or DH-PFM881) is set as access point, and the other DH-PFM881 is set as client, as demonstrated below.

# DH-PFM881



## 2. Point-to-Multipoint Networking

For point-to-multipoint communication, generally adopt DH-PFM880 as server, and it is set as access point (different “frequency/channel” should be set when there are several access points in order to prevent interference), DH-PFM881 (or DH-PFM880) is set as client, as demonstrated below.

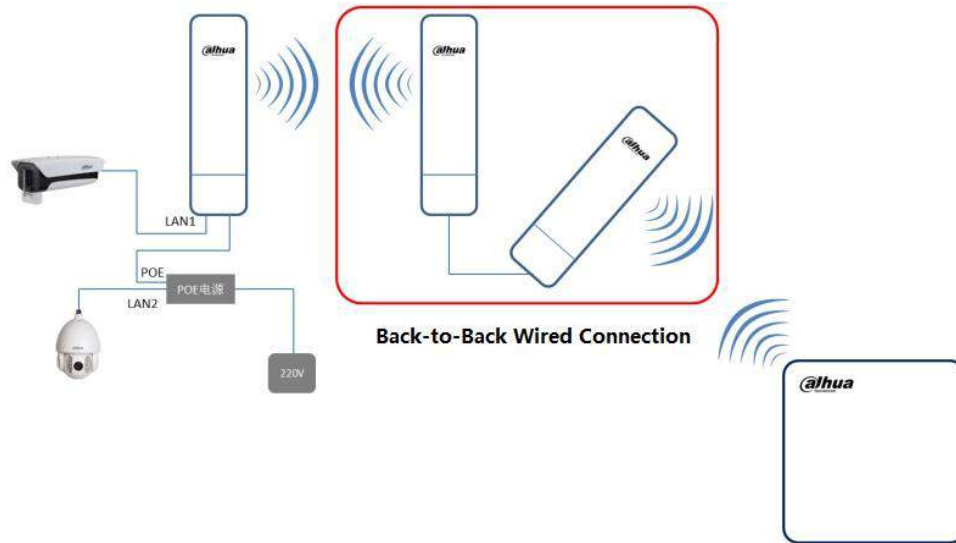


## 3. Back-to-Back Angle Adjustment Network

For wireless coverage blind angle, cable connection for double devices is recommended, which can solve the problem of angle by adjusting two directions respectively; the back-to-back connection for double devices can also be applied to

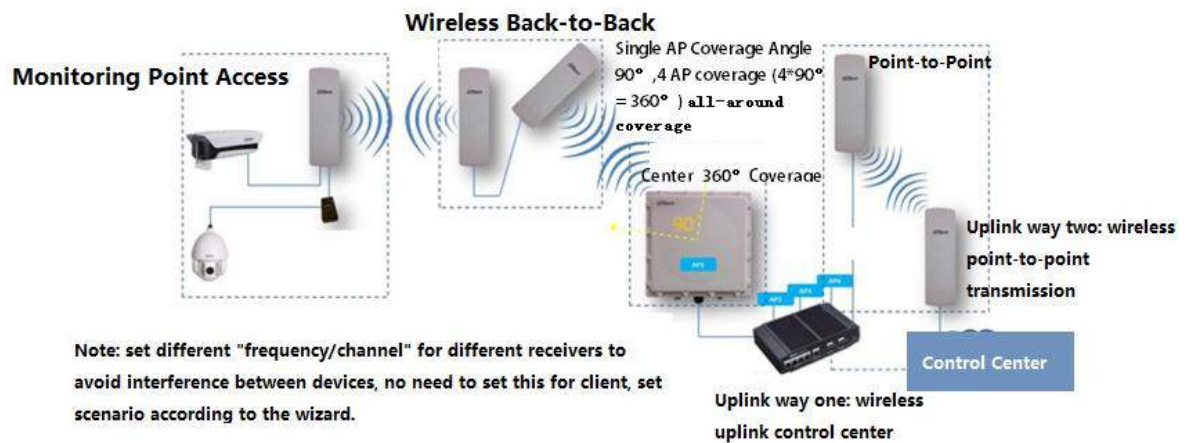
# DH-PFM881

long-distance repeater, as demonstrated below.



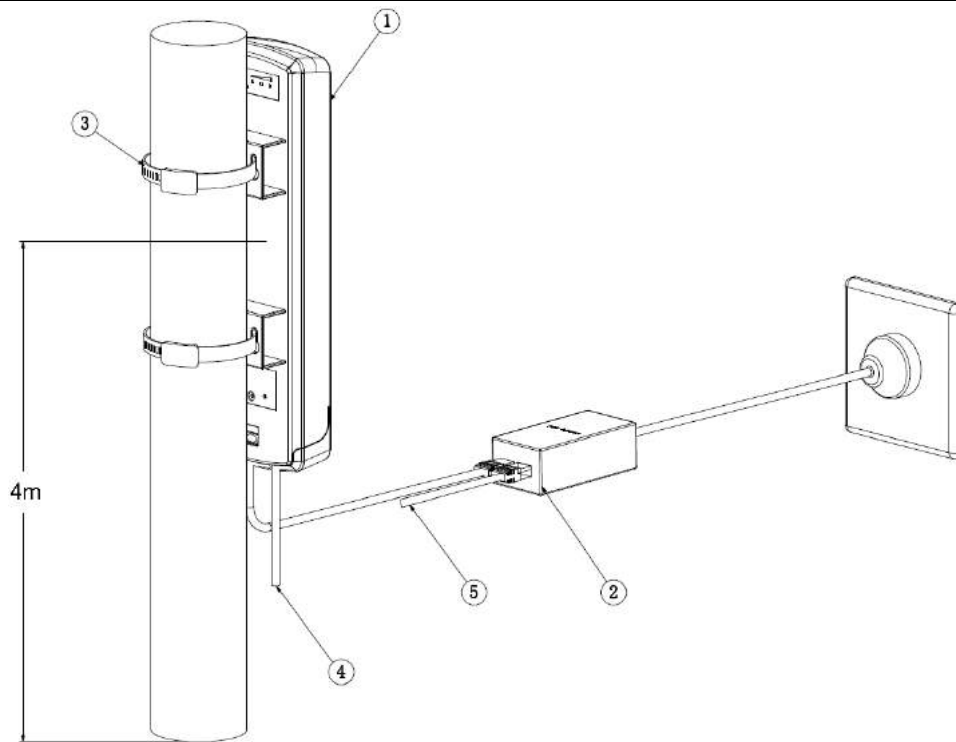
## 4. Integrated Wireless Coverage Networking

In the actual project, we may use point-to-point, point-to-multipoint, repeater between point-to-point, direction adjustment and several other ways of integrated application at the same, as demonstrated below.



## Connection Mode

## DH-PFM881



1. DH-PFM881 equipment
2. PoE power supply
3. Metal hoops for installing the equipment
4. Network interface of DH-PFM881. Used for connecting the cameras
5. Network interface of PoE power supply. Used for connecting PC/camera

**Note:**

The recommended installation height is 4m without barrier between two points. The actual installation height is determined by the installation environment.

---

### **Dahua Technology Co., Ltd.**

1199 BinAn Road, Binjiang District, Hangzhou, China

Tel: +86-571-87688883

Fax: +86-571-87688815

Email: [overseas@dahuatech.com](mailto:overseas@dahuatech.com)

[www.dahuasecurity.com](http://www.dahuasecurity.com)

\*Design and specifications are subject to change without notice.

© 2016 Dahua Technology Co., Ltd.