

DH-PFM886-15

Outdoor Long Range 5G Wireless Bridge



Features

- Use the high-performance 802.11ac MIMO chip, and the highest rate can achieve 867Mbps in theory
- Supports 5 working mode: Access Point, Client, WDS Access Point, WDS Client, WDS Repeater
- “Back to back” connection enables multiple links using multiple devices, which suits outdoor complicated terrain better
- Supports Point-to-Point wireless transmission
- TDMA technology best utilizes the bandwidth to support Point-to-Multi-Point wireless transmission
- Supports PoE power input
- Water-proof and ultraviolet-proof enclosure ensures stable performance in outdoor environment
- Supports management by web and Access Controller

DH-PFM886-15

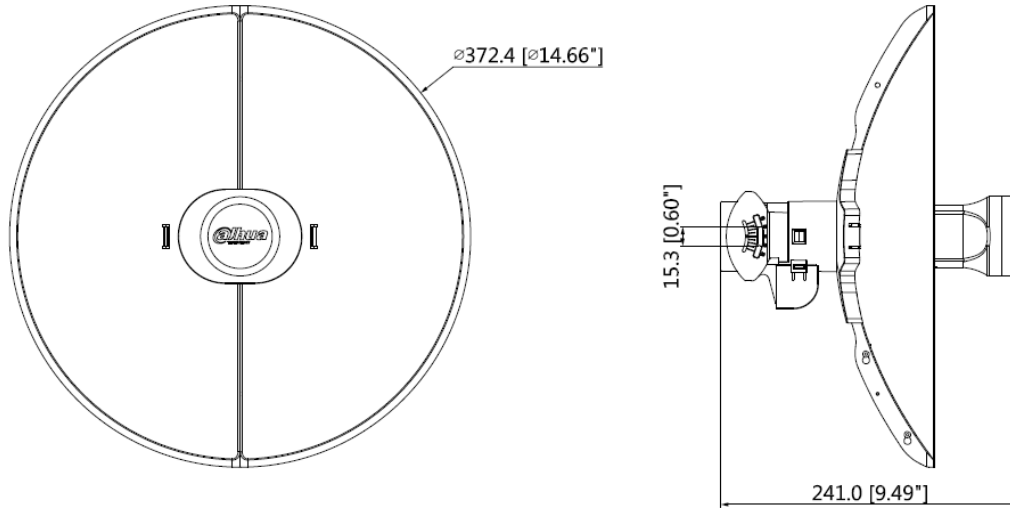
Specifications

Model	DH-PFM886-15	
Wireless Features		
Wireless Standard	IEEE802.11 a/n/ac	
Working Frequency	5745~5825MHz (support frequency to extend, extended range: 4920~6100MHz)	
Wireless Speed	867Mbps	
Modulation Mode	OFDM	
Antenna	23dBi	
Output Power	27dBm (max)	
Receiving Sensitivity	11a: 6Mbps -91 dBm 11n: MCS0 -85 dBm 11ac: MCS0 -85 dBm	54 Mbps -72dBm MCS7 -67dBm MCS9 -60dBm
Transmission Distance	≤15km	
Wireless Direction Angle	Horizontal 10°, vertical 10°	
Hardware		
Power	1*PoE RJ45 (PoE input via PoE switch or PoE adapter)	
Power Consumption	≤25W	
Ethernet Port	1×10/100M/1000MBase-TX (Cat. 5/5E, RJ-45)	
Indicator Light	3×Link Quality	
Working Temperature	-30℃~+70℃	
Storage Temperature	-40℃~+85℃	
Working Humidity	5%~95%RH(no condensation)	
Equipment Dimension	240mm × Ø373mm	
Equipment Weight	0.94kg	
Protection Level	IP66	
Software		
Encryption Type	802.1x/WPA-PSK/WPA2-PSK	
Network Mode	Route/Network Bridge	
Working Mode	Access Point/Client/WDS AP/WDS client/WDS Repeater	
Security Mechanism	IP/MAC address filtering, hide network name	
Network Protocol	TCP/UDP/ARP/ICMP/DHCP/HTTP/NTP	
TDMA Enhancement	Support	
Auto ACK Timing Adjustment	Support	
Management and Log	NTP, Syslog, Telnet, AC, SNMP	
Webpage Configuration Management	Web, SNMP, Access Controller	
Firmware Update	Web, Access Controller	
Bandwidth Flexible Configuration	10/20/40/80MHz	

Dimensions (mm)

DH-PFM886-15

Dimension(units:mm[inch]): $\varnothing 372.4[\varnothing 14.66"] * 241.0[9.49"]$



Application Scenarios

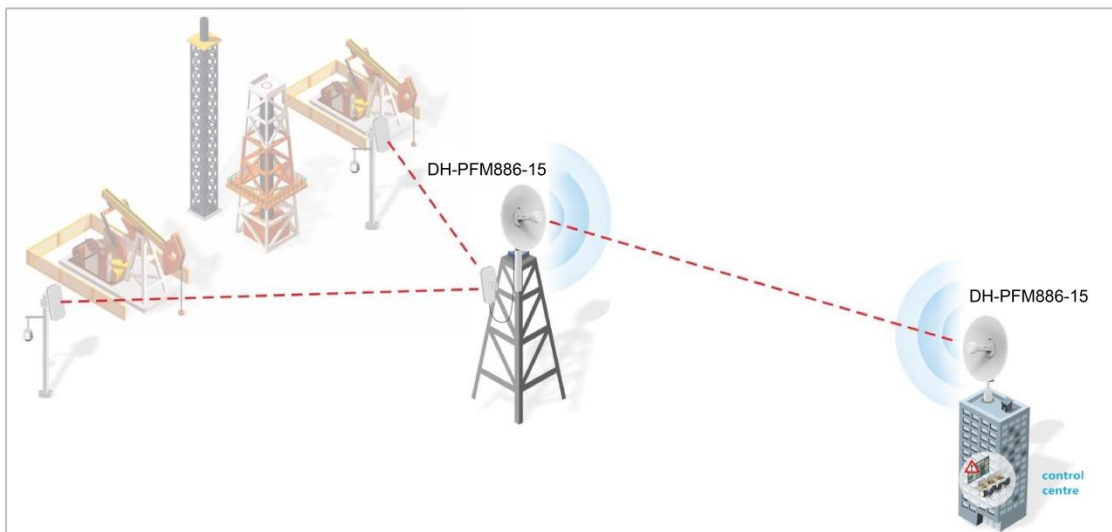
Wireless video surveillance (Transportation, City, Oil Pipeline, Forest Fire Prevention, etc.);
Railway, Transportation, Electricity and some other application scenario's wireless video/data transmission and wireless coverage;
Wireless backbone network for service provider;
Wireless coverage for rural area.

Networking Mode

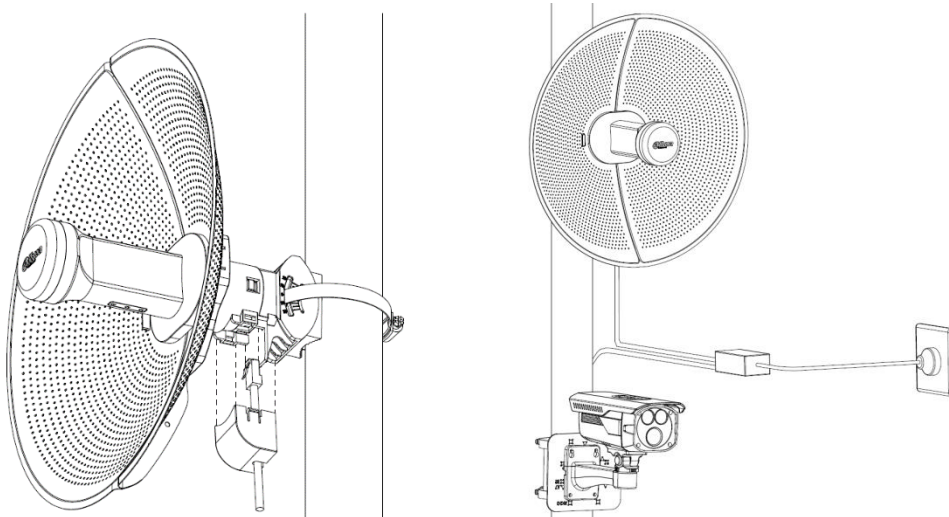
1. Point-to-Point Networking

For point-to-point communication, generally a DH-PFM886-15 is set as access point, and the other DH-PFM886-15 is set as client, as demonstrated below.

DH-PFM886-15



Connection Mode



Dahua Technology Co., Ltd.

1199 BinAn Road, Binjiang District, Hangzhou, China

Tel: +86-571-87688883

Fax: +86-571-87688815

Email: overseas@dahuatech.com

www.dahuasecurity.com

*Design and specifications are subject to change without notice.

© 2016 Dahua Technology Co., Ltd.