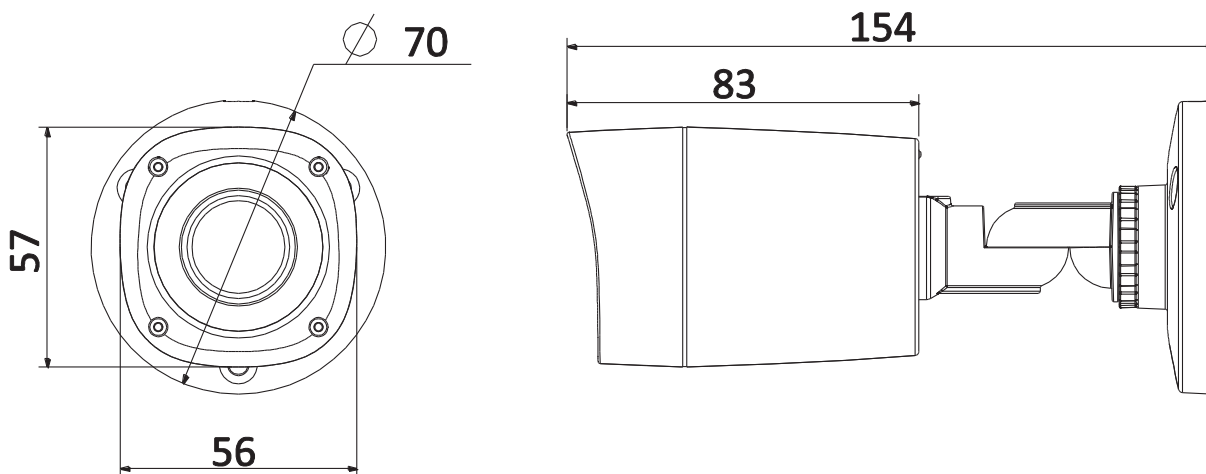




Features :

- 1/2.7" 2Megapixel CMOS
- 25/30fps@1080P, 25/30/50/60fps@720P
- High speed, long distance real-time transmission
- HD and SD switchable
- OSD Menu, control over coaxial cable
- DWDR, Day/Night(ICR), AWB, AGC, BLC, 2DNR
- 3.6mm fixed lens (6mm optional)
- Max. IR LEDs length 20m, Smart IR
- IP67, DC12V

Dimension :



TECHNICAL SPECIFICATIONS

Model	DH-HAC-HFW1200RP-S3-0360-DIP
Camera	
Image Sensor	1/2.7" 2Megapixel CMOS
Effective Pixels	1920(H)× 1080(V)
Electronic Shutter	1/25~1/100000s
Video Frame Rate	25/50fps@720P; 25fps@1080P
Synchronization	Internal
Mini. Illumination	0.02Lux/F2.0, 0Lux IR on
Video Output	1-channel BNC high definition video output/ CVBS standard definition video output
Camera Features	
Max. IR LEDs Length	20m, Smart IR
Backlight Compensation	DWDR
Day/Night	Auto(ICR) / Color / B/W
Noise Reduction	2D
OSD Menu	Support
Lens	
Focal length	3.6mm (6mm optional)
Angle of View	H: 89.9°(59.4°)
Mount Type	M12
General	
Power Supply	DC12V± 25%
Power Consumption	Max 2.8W
Working Environment	-40°C~+60°C / Less than 95%RH (no condensation)
Transmission Distance	Over 500m via 75-3 coaxial cable/ Less than 95%RH (no condensation)
Ingress Protection	IP67
Dimensions(W× D× H)	70mm× 154mm
Weight	0.2kg
Material	Plastic

DIP Switch



Switch 1	Switch 2	Output Mode
OFF	OFF	CVI
ON	ON	CVBS
ON	OFF	AHD
OFF	ON	TVI